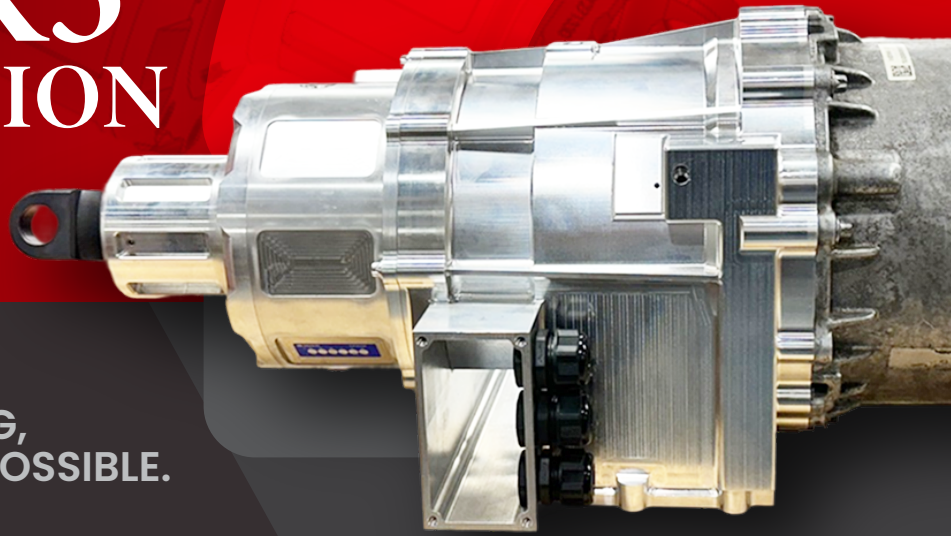




TAKING  
PRE-ORDERS

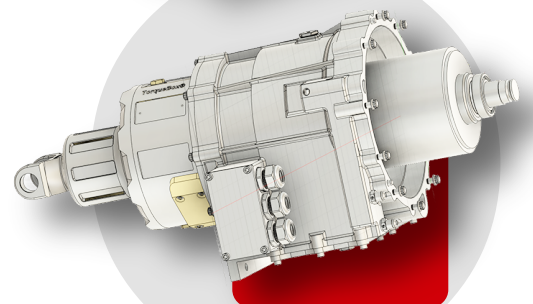
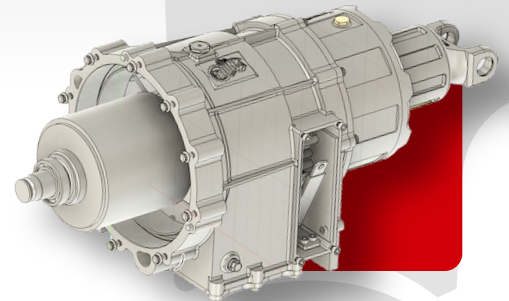
# THUNK3 EV CONVERSION MOTOR



EVERY CLASSIC CAR HAS A  
STORY WORTH CONTINUING,  
THE THUNK3 MAKES THAT POSSIBLE.


## KEY FEATURES


- Fits in the transmission tunnel of most classic cars.
- Works with your OEM rear axle, diff and suspension.
- Based on the Tesla Model 3/Y motor  
Nearly 300 HP!
- Opens up the engine compartment for batteries and other components.
- Allows for much better weight distribution  
-front and rear battery packs.
- Least expensive motor/inverter package  
in its power class.



TAKING PRE-  
ORDERS

Lock in your custom EV motor and be  
one of the first to experience the  
Thunk3 advantage.

 [thinkco.us](http://thinkco.us)

 [info@thinkco.us](mailto:info@thinkco.us)