

Weathering the Storm: Hurricane Ian

Clean, Resilient Residential Power



A Smart Energy Solution for Communities



Hurricane Ian

U.S. landfall September 28, 2022

Cat 4

After devastating Cuba, Hurricane Ian grew in size and strengthened to Category 4.

155 mph

Peak intensity included sustained winds of 155 mph as it neared SW Florida.

>2.4m

Greater than 2.4 million people lost power in Florida due to Hurricane Ian.



Tampa, FL Area

- + State of emergency declared for FL
- + Evacuations issued for multiple counties
- + Airports and ports suspended operations
- + Area schools and universities canceled classes
- + Even Walmart and Waffle House closed



Hurricane strength winds blow through the Tampa, FL area 09-28-22.





“When the grid-tie went down, the system was able to maintain service seamlessly.”

- BlockEnergy Post-Storm Report with Tampa Electric





Microgrid-powered, 70% renewable energy-based 37-home pilot community

Wimauma, FL near Tampa

A 55+ neighborhood

Part of SouthShore Bay community in South Tampa

Southshore Bay Community Fully-Energized & Operational May 2022

- Utility-owned residential autonomous storage solution
- 300 kW rooftop solar
- 900 kWh battery storage
- Supplemental generation

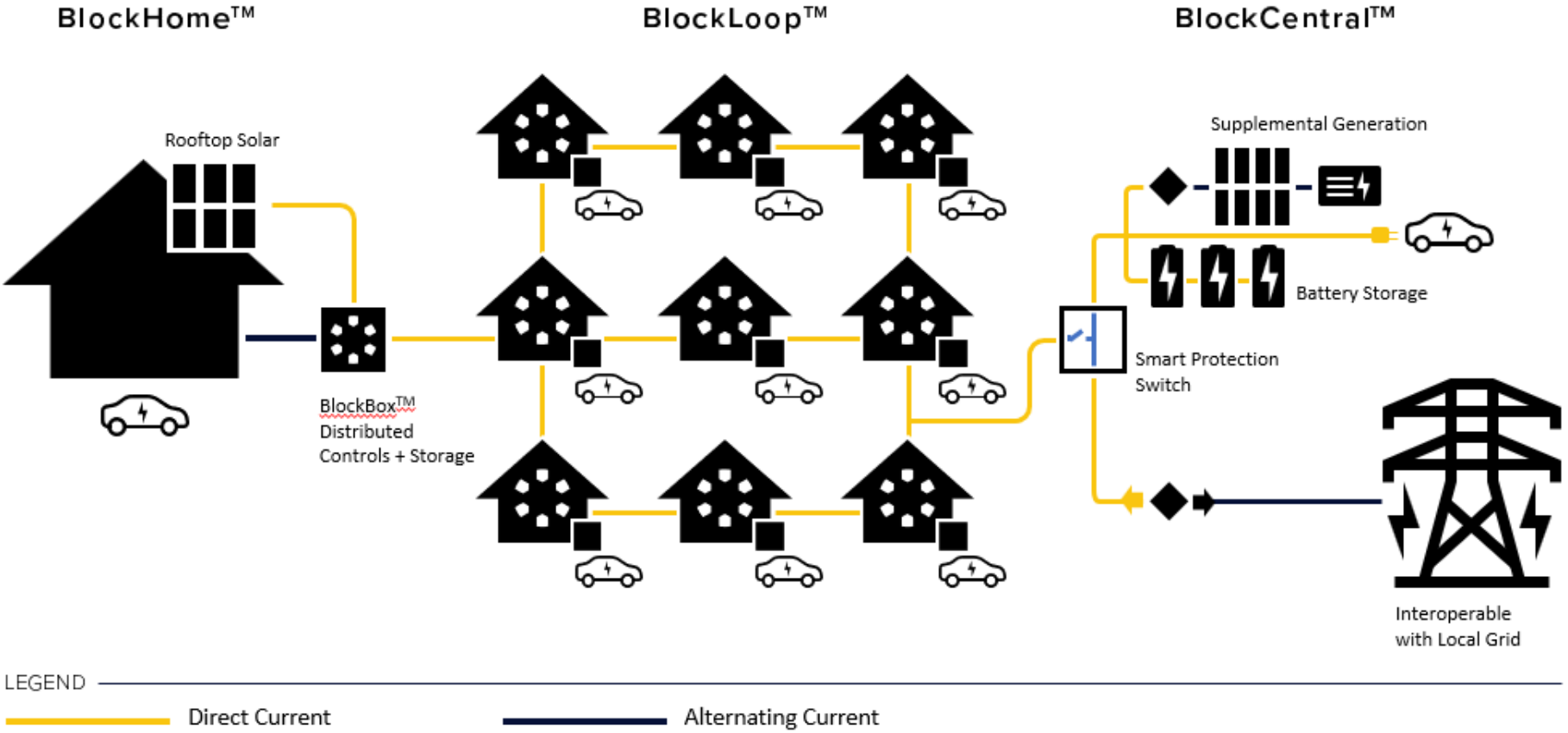


- + Ultra-reliable, efficient, and resilient renewable-based distributed Power System utilizing Direct Current, “always-on” power
- + Coupled with declining cost of power electronics – offsetting traditional G, T, and D cost to serve

2022 Pilot Outcomes



SouthShore Bay Community Microgrid Illustration



Innovative Energy Delivery Is Needed As Stakeholder Expectations Shift

Resilience & Security
Concerns



Residential EV
Growth Demands



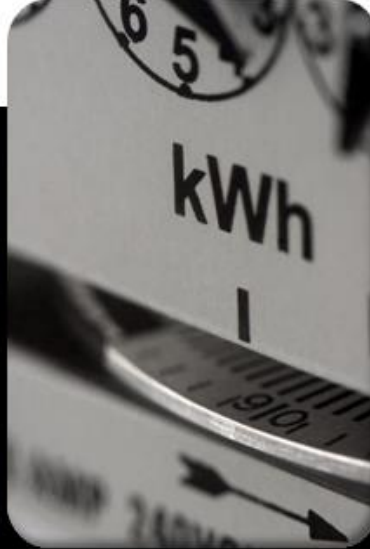
Sustainability &
Environment Stewardship



Energy Equity
Expectations



Rate and O&M
Measures



**MICROGRID
KNOWLEDGE**

2023 CONFERENCE

May 16-17, 2023 | Anaheim, CA

OWNED &
PRODUCED BY:



PRESENTED BY:

**MICROGRID
KNOWLEDGE**



Thank You

Contact Info

Bobbi Dillow-Walsh

Bobbi.Dillow-Walsh@BlockEnergy.com

[BlockEnergy.com](https://www.blockenergy.com)

MICROGRID KNOWLEDGE™

2023 CONFERENCE

LIGHTS ON!

May 16-17, 2023 | Anaheim, CA

OWNED &
PRODUCED BY:



PRESENTED BY:

MICROGRID
KNOWLEDGE™